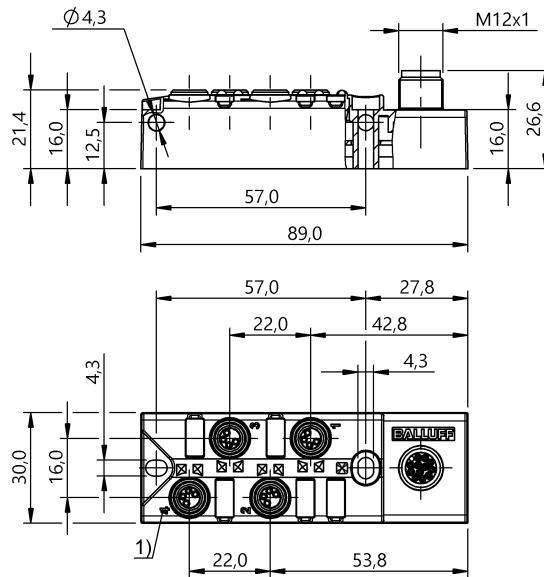


Junction blocks
BPI 4M3040-5K-B0-SM4CT
Order Code: BPI00HE

BALLUFF



1) Slot numbering



Basic features

Approval/Conformity	CE UKCA cULus WEEE
Scope of delivery	Part labels (11x) Cover cap (3x)

Electrical connection

Connection slots	4x M8x1-Female, 4-pin
-------------------------	-----------------------

Electrical data

Isolation resistance	≥ 10 GOhm
Operating voltage U_b	10...30 VDC/10...30 VAC
Output current max.	1.5 A
Rated operating voltage U_e DC	24 V
Total current max.	1.5 A

Environmental conditions

Ambient temperature	-25...80 °C
IP rating	IP67, when threaded in

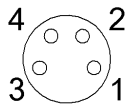
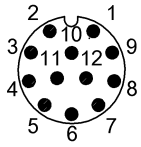
Material

Housing material	PBT, GF
Material contact carrier	PBT
Material contacts	Bronze (CuSn6), nickel layer

Mechanical data

Casting	yes
Dimension	89 x 30 x 26.6 mm
Mounting part	M4 (2x)
Tightening torque	1.2 Nm ±0.2 (M4)
Tightening torque pigtail	0.4 Nm + 0.1 Nm (M8 connector)

Connector Drawings



I/O ports
PIN 1: +24V
PIN 2: Signal 2
PIN 3: 0V
PIN 4: Signal 1

Wiring Diagrams

